

# Isuzu MUX

## RF series

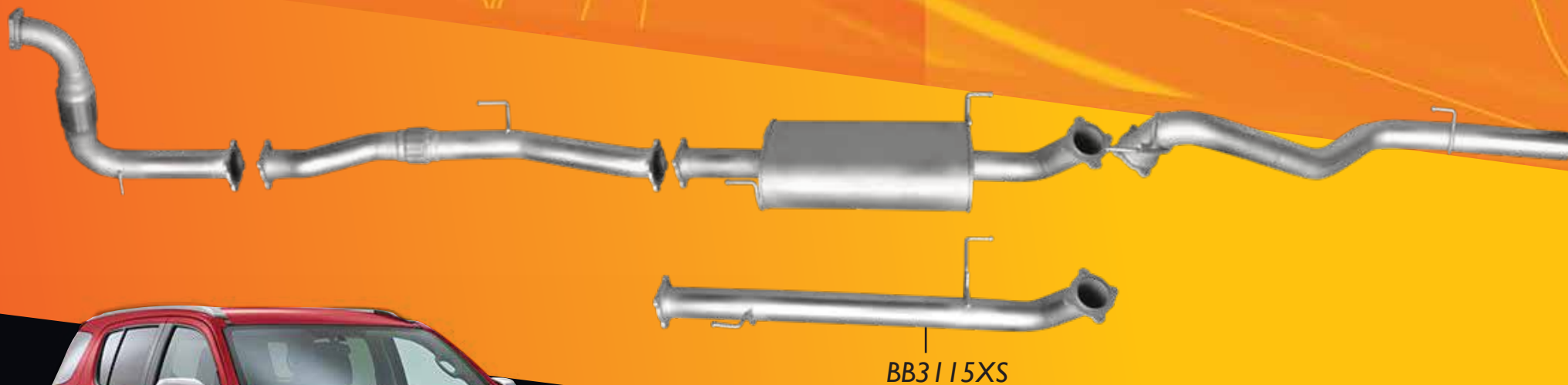
Wagon  
3.0 litre turbo diesel  
2012 onwards

Mandrel bent high flow exhaust system



# Berklee

## 4x4 Exhaust Systems



- BB3115KS 409 STAINLESS STEEL (Complete Kit) \$ 801.00 \*
  - BB3115K ALUMINISED STEEL (Complete Kit) \$ 667.00 \*
  - BB3115XS MUFFLER DELETE PIPE (Sold Separately) \$ 136.00 \*
- Muffler delete pipe sold as 409 stainless steel only
- \*Plus freight

**Berklee**  
**Shop**  
**.com.au**

Email: [sales@berkleeshop.com.au](mailto:sales@berkleeshop.com.au)  
Phone: 0418 456 371

# Berklee

4x4 Exhaust Systems

Berklee  
Shop  
.com.au



Email: [sales@berkleeshop.com.au](mailto:sales@berkleeshop.com.au)  
Phone: 0418 456 371



100% Australian made & owned  
for over 5 decades.



O.E. style heavy duty hangers  
and brackets connect to all original  
mounting points on vehicle.



Double braided stainless steel  
flex joints.



3 inch mandrel bent tube for  
maximum gas flow & performance.



Large diameter turbo dump pipe  
incorporating EGT (1/4" BSP) & O2  
(1.8mm x 1.5mm Pitch) sensor fittings.



Euro 3 diesel high flow 200 CPI  
metallic substrate catalytic convert-  
er.



10mm thick 4 bolt pipe through  
flange design for perfect  
fitment accuracy.



All components are boxed for  
undamaged delivery.



Available in 409 stainless steel or  
aluminised steel.



Installation kit includes gaskets,  
bolts & nuts.



Perforated tube high flow muffler  
internals supported with a  
case stiffener.